

# Model FLV-□DF

## Diffuser Board

### INSTRUCTION SHEET

Thank you for selecting OMRON product. This sheet primarily describes precautions required in installing and operating the product.  
Before operating the product, read the sheet thoroughly to acquire sufficient knowledge of the product. For your convenience, keep the sheet at your disposal.

TRACEABILITY INFORMATION:  
Importer in EU: OMRON Europe B.V. Wegalaan 67-69, 2132 JD Hoofddorp, The Netherlands  
Manufacturer: OMRON CORPORATION, Shikoji Horikawa, Shimogyo-ku, Kyoto 600-8530 JAPAN

The following notice applies only to products that carry the CE mark:  
Notice: This is a class A product. In residential areas it may cause radio interference, in which case the user may be required to take adequate measures to reduce interference.

2280280-6E

© OMRON CORPORATION 2013 All Rights Reserved.

### Specifications

Item	Model	FLV-DR3220DF	FLV-DR4415DF	FLV-DR5030DF	FLV-DR6030DF	FLV-DR6615DF	FLV-DR7000DF	FLV-DR7030DF	FLV-DR7530DF	FLV-DR9000DF	FLV-DR9030DF	FLV-DR9215DF	FLV-DR12030DF
Applicable Lighting		FLV-DR3220□	FLV-DR4415□	FLV-DR5030□	FLV-DR6030UV	FLV-DR6615□	FLV-DR7000□	FLV-DR7030□	FLV-DR7530UV	FLV-DR9000□	FLV-DR9030□	FLV-DR9215□	FLV-DR12030□
Ambient Temperature	Operating: 0 to +50°C, Storage: -15 to +60°C (with no icing or condensation)												
Ambient Humidity	Operating and storage: 35% to 85% (with no condensation)												
Vibration Resistance (destructive)	10 to 150 Hz, (0.7mm double amplitude) 80 min. each in X, Y, and Z directions												
Shock Resistance (destructive)	150 m/s <sup>2</sup> 3 times each in 6 directions(up/down, left/right, forward/backward)												
Materials	PMMA												
Weight	Approx.25g	Approx.25g	Approx.25g	Approx.25g	Approx.25g	Approx.45g	Approx.35g	Approx.45g	Approx.45g	Approx.55g	Approx.45g	Approx.55g	Approx.30g
Accessories	Instruction sheet (this sheet), Mounting frame												Instruction sheet (this sheet), Mounting screws (M1.4 x 8)

Item	Model	FLV-DL5890DF	FLV-DL7260DF	FLV-DL12060DF	FLV-DL15060DF
Applicable Lighting		FLV-DL5890□	FLV-DL7260□	FLV-DL12060□	FLV-DL15060□
Ambient Temperature	Operating: 0 to +50°C, Storage: -15 to +60°C (with no icing or condensation)				
Ambient Humidity	Operating and storage: 35% to 85% (with no condensation)				
Vibration Resistance (destructive)	10 to 150 Hz, (0.7mm double amplitude) 80 min. each in X, Y, and Z directions				
Shock Resistance (destructive)	150 m/s <sup>2</sup> 3 times each in 6 directions(up/down, left/right, forward/backward)				
Materials	PMMA				
Weight	Approx.20g	Approx.35g	Approx.30g	Approx.30g	Approx.30g
Accessories	Instruction sheet (this sheet), Mounting screws (M1.4 x 8)	Instruction sheet (this sheet), Mounting frame	Instruction sheet (this sheet), Mounting screws (M1.4 x 8)	Instruction sheet (this sheet), Mounting screws (M1.4 x 12)	Instruction sheet (this sheet), Mounting screws (M1.4 x 12)

Item	Model	FLV-BR6022DF	FLV-BR6424DF	FLV-BR8532DF	FLV-BR11222DF	FLV-BR11624DF	FLV-BR14030DF	FLV-BR15020DF	FLV-BR21222DF	FLV-BR21230DF	FLV-BR38037DF	FLV-BR48031DF
Applicable Lighting		FLV-BR6022□	FLV-BR6424UV	FLV-BR8532□	FLV-BR11222□	FLV-BR11624UV	FLV-BR14030□	FLV-BR15020□	FLV-BR21222□	FLV-BR21230□	FLV-BR38037□	FLV-BR48031□
Ambient Temperature	Operating: 0 to +50°C, Storage: -15 to +60°C (with no icing or condensation)											
Ambient Humidity	Operating and storage: 35% to 85% (with no condensation)											
Vibration Resistance (destructive)	10 to 150 Hz, (0.7mm double amplitude) 80 min. each in X, Y, and Z directions											
Shock Resistance (destructive)	150 m/s <sup>2</sup> 3 times each in 6 directions(up/down, left/right, forward/backward)											
Materials	PMMA											
Weight	Approx.10g	Approx.10g	Approx.10g	Approx.10g	Approx.10g	Approx.15g	Approx.10g	Approx.15g	Approx.20g	Approx.20g	Approx.40g	Approx.40g
Accessories	Instruction sheet (this sheet), Mounting screws(M1.4 x 4)											Instruction sheet (this sheet), Mounting screws(M1.4 x 8)

### PRECAUTIONS FOR SAFE USE

Please observe the following precautions for safe use of the products.

1. Mounting
  - Please be securely tightening the screw.
  - Tightening torque: M1.4:0.07N·m
2. Others
  - Do not attempt to disassemble, deform by pressure, incinerate, repair, or modify this product.
  - When disposing of the product, treat as industrial waste.
  - If you notice an abnormal condition, immediately stop using the product, turn off the power, and consult your dealer.

### PRECAUTIONS FOR CORRECT USE

Observe the following to prevent failure, malfunctioning, and adverse effects on performance and the device.

1. Installation site
  - Do not install in the following locations
    - Locations where the ambient temperature exceeds the rated temperature range.
    - Locations subject to sudden temperature changes (where condensation will form).
    - Locations where the relative humidity is below or above 35 to 85% RH.
    - Locations where there are corrosive or flammable gases.
    - Locations where there is dust, salt, or iron powder.
    - Locations where the device will be subject to direct vibration or shock.
    - Locations where there is strong scattered light (laser light, arc welding light, ultraviolet light, etc.)
    - Locations exposed to direct sunlight or next to a heater.
    - Locations where there is splashing or spraying of water, oil, or chemicals.
    - Locations where there is a strong electrical or magnetic field.
2. Cleaning
  - Do not use thinners, benzene, acetone, kerosene to clean the product.
  - Please wipe the contamination with a soft cloth included a small amount of alcohol.
3. About diffuser plate of UV Lighting
  - There is a possibility that diffuser plate discolors by usage state, so it's recommended to exchange it periodically.

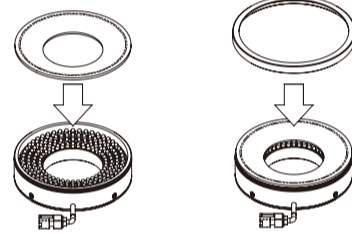
### Mounting Diffusion Plate

● Mounting FLV-DR□DF and FLV-DL□DF

● Mounting frame mount type

Models : FLV-DR3220DF, FLV-DR4415DF, FLV-DR5030DF, FLV-DR6030DF, FLV-DR6615DF, FLV-DR7000DF, FLV-DR7030DF, FLV-DR7530DF, FLV-DR9000DF, FLV-DR9030DF, FLV-DR9215DF, FLV-DL7260DF, FLV-DR6030DF, FLV-DR7530DF

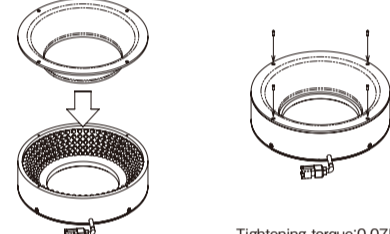
1. Mount a Diffusion Plate.
2. Mount a mounting frame.



● Mounting screw mounting type

Models : FLV-DR12030DF, FLV-DL5890DF, FLV-DL12060DF, FLV-DL15060DF

1. Mount a Diffusion Plate.
2. Secure it with M1.4 set screws.

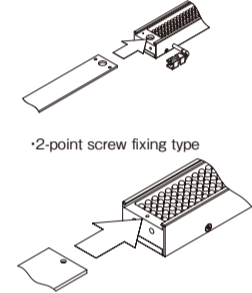


Tightening torque:0.07N·m

● Mounting FLV-BR□DF

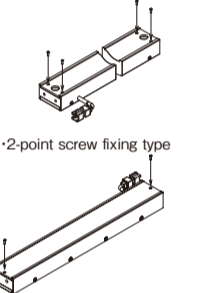
1. Insert the Diffusion Plate into the groove at the edge of the illumination.

● 4-point screw fixing type



2. Secure it with M1.4 screws.

● 4-point screw fixing type

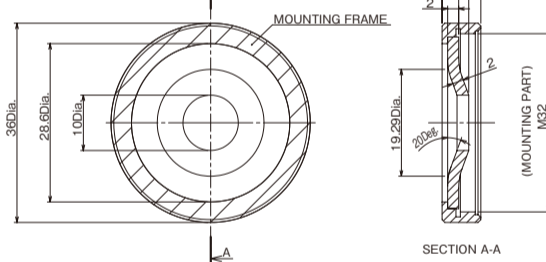


Tightening torque:0.07N·m

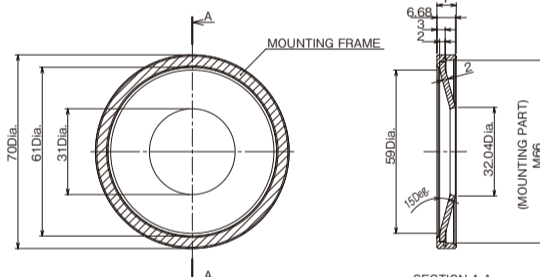
### Dimensions

(Unit:mm)

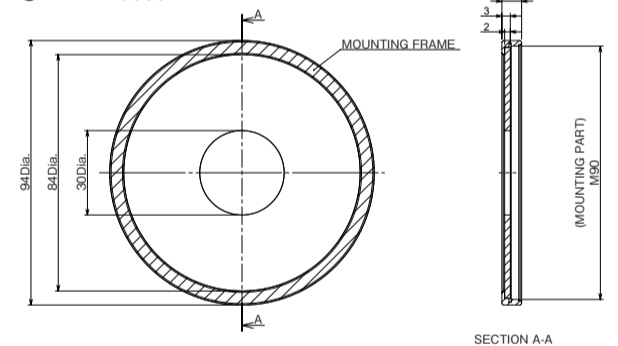
#### ● FLV-DR3220DF



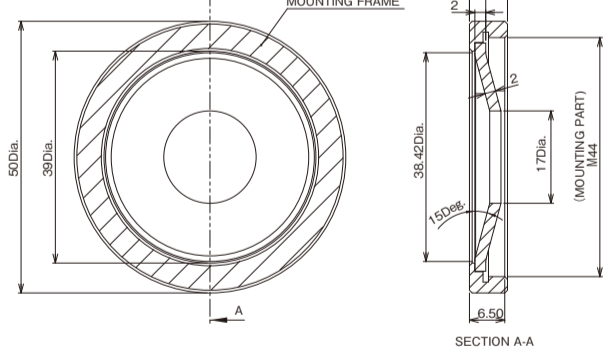
#### ● FLV-DR6615DF



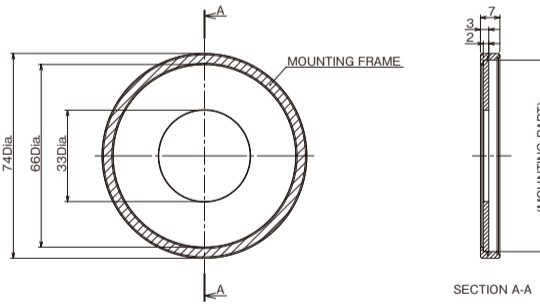
#### ● FLV-DR9000DF



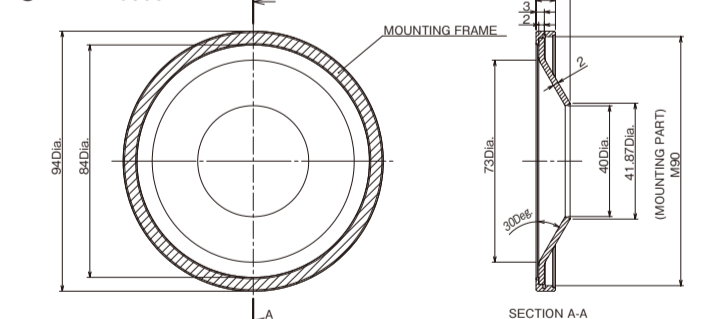
#### ● FLV-DR4415DF



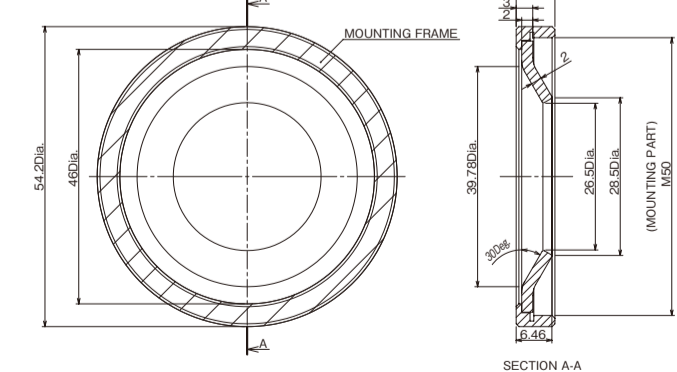
#### ● FLV-DR7000DF



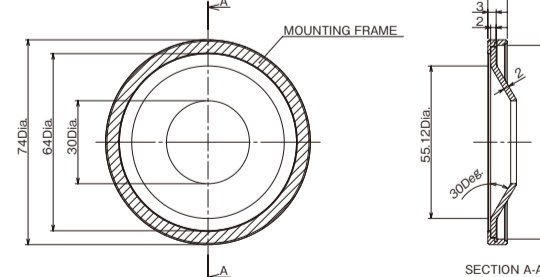
#### ● FLV-DR9030DF



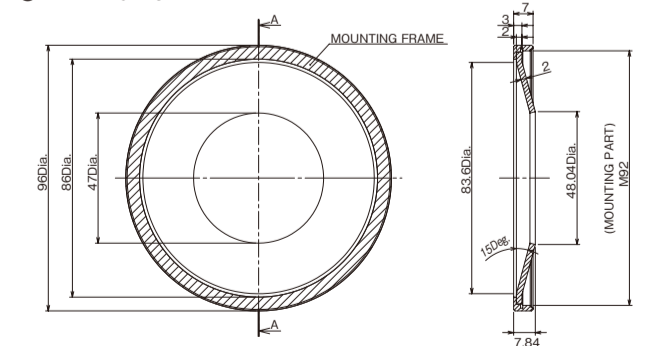
#### ● FLV-DR5030DF



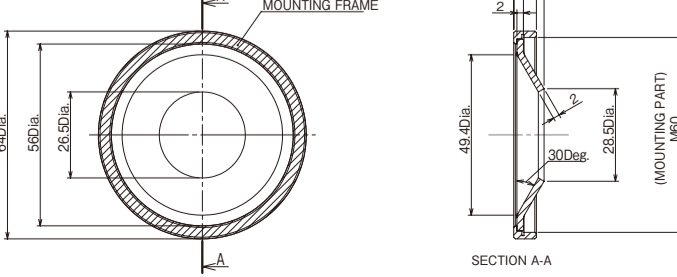
#### ● FLV-DR7030DF



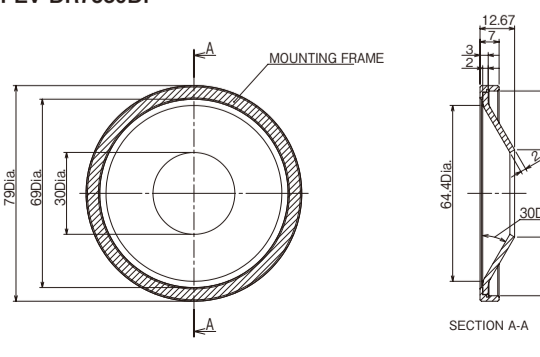
#### ● FLV-DR9215DF



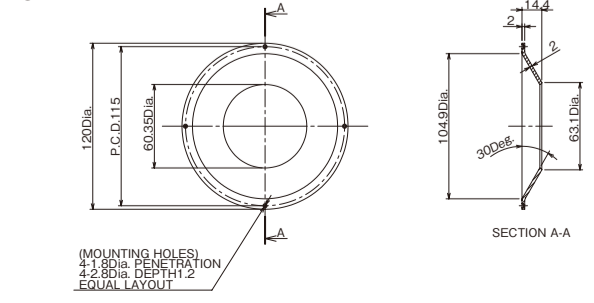
#### ● FLV-DR6030DF



#### ● FLV-DR7530DF

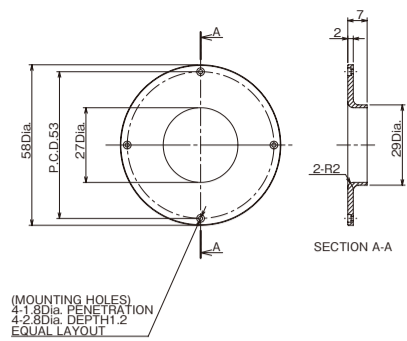


#### ● FLV-DR12030DF

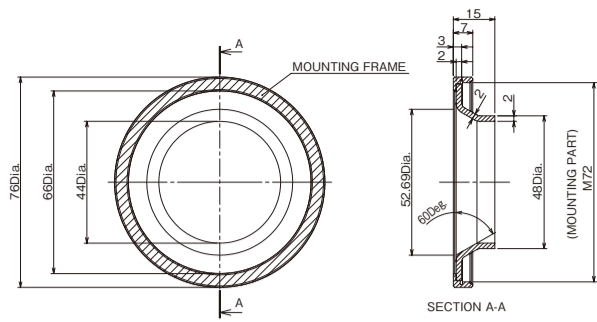


(MOUNTING HOLES)  
4-1.80 Dia. PENETRATION  
4-2.80 Dia. DEPTH 2  
EQUAL LAYOUT

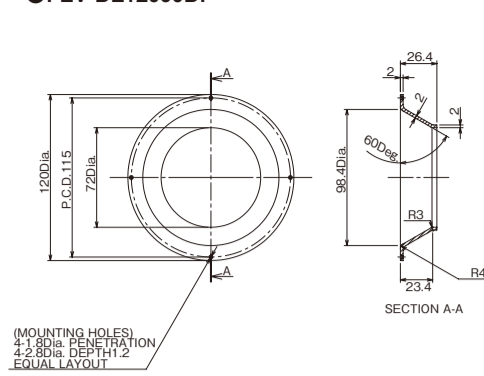
●FLV-DL5890DF



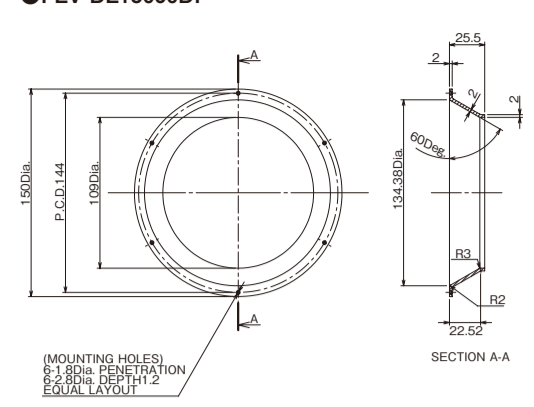
●FLV-DL7260DF



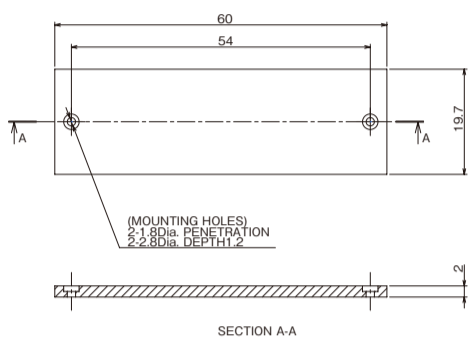
●FLV-DL12060DF



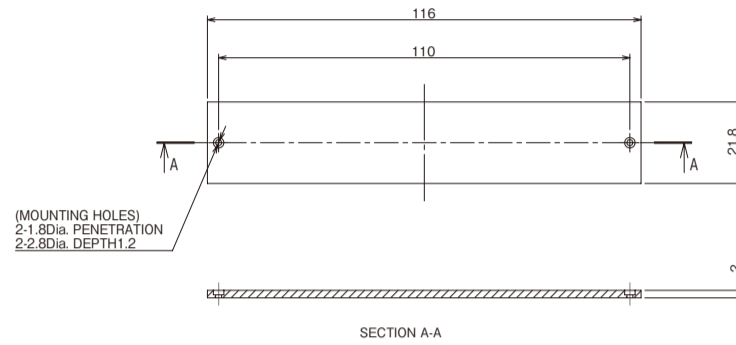
●FLV-DL15060DF



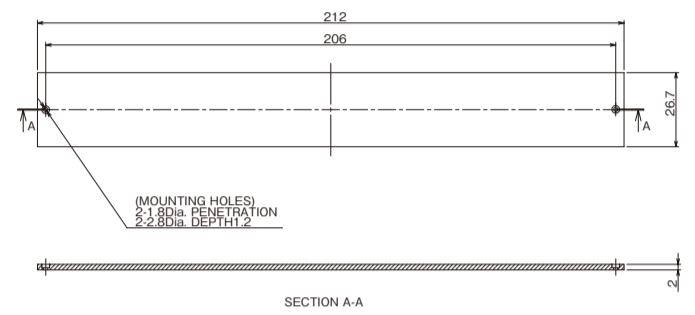
●FLV-BR6022DF



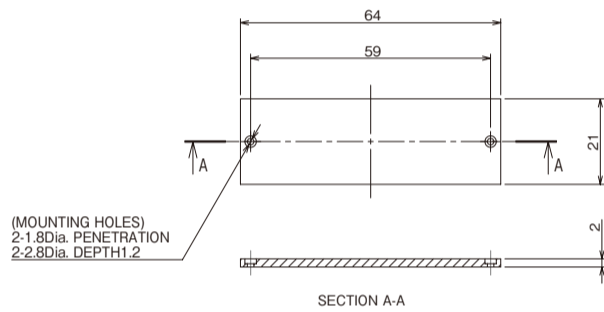
●FLV-BR11624DF



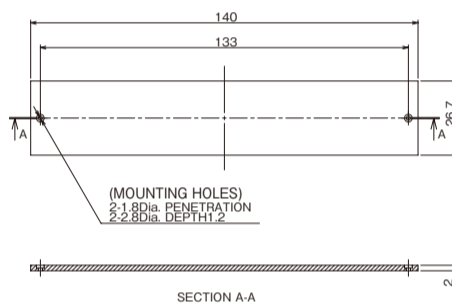
●FLV-BR21230DF



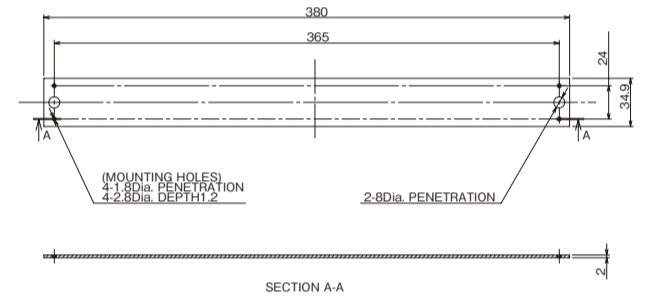
●FLV-BR6424DF



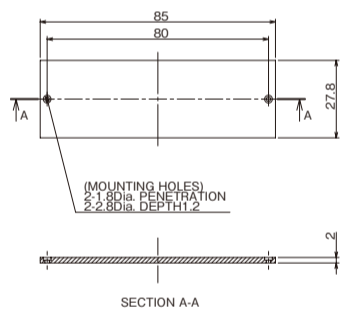
●FLV-BR14030DF



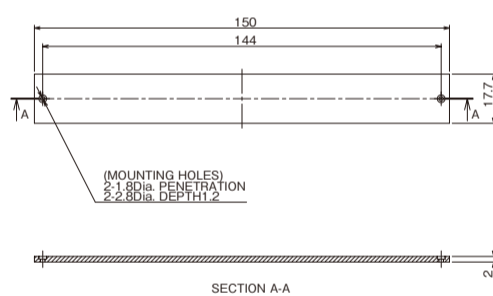
●FLV-BR38037DF



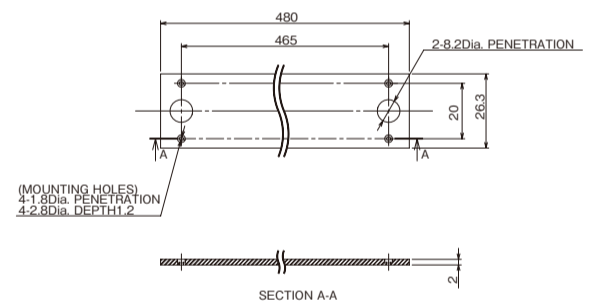
●FLV-BR8532DF



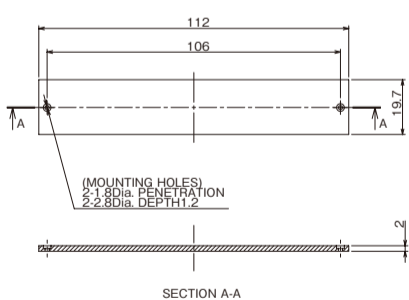
●FLV-BR15020DF



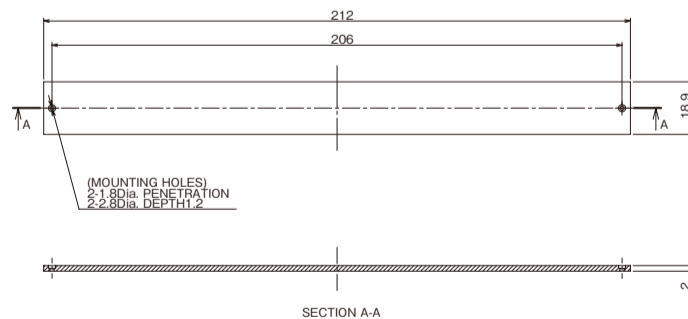
●FLV-BR48031DF



●FLV-BR11222DF



●FLV-BR21222DF



**Suitability for Use**

Omron Companies shall not be responsible for conformity with any standards, codes or regulations which apply to the combination of the Product in the Buyer's application or use of the Product. At Buyer's request, Omron will provide applicable third party certification documents identifying ratings and limitations of use which apply to the Product. This information by itself is not sufficient for a complete determination of the suitability of the Product in combination with the end product, machine, system, or other application or use. Buyer shall be solely responsible for determining appropriateness of the particular Product with respect to Buyer's application, product or system. Buyer shall take application responsibility in all cases.

NEVER USE THE PRODUCT FOR AN APPLICATION INVOLVING SERIOUS RISK TO LIFE OR PROPERTY WITHOUT ENSURING THAT THE SYSTEM AS A WHOLE HAS BEEN DESIGNED TO ADDRESS THE RISKS, AND THAT THE OMRON PRODUCT(S) IS PROPERLY RATED AND INSTALLED FOR THE INTENDED USE WITHIN THE OVERALL EQUIPMENT OR SYSTEM. See also Product catalog for Warranty and Limitation of Liability.

**OMRON Corporation Industrial Automation Company**  
Tokyo, JAPAN Contact: [www.ia.omron.com](http://www.ia.omron.com)

**Regional Headquarters**  
**OMRON EUROPE B.V.**  
Sensor Business Unit  
Carl-Benz-Str. 4, D-71154 Nufringen, Germany  
Tel: (49) 7032-811-0/Fax: (49) 7032-811-199  
**OMRON ELECTRONICS LLC**  
2895 Greenspoint Parkway, Suite 200  
Hoffman Estates, IL 60169 U.S.A.  
Tel: (1) 847-843-7900/Fax: (1) 847-843-7787  
**OMRON ASIA PACIFIC PTE. LTD.**  
No. 435A Alexandra Road # 05-05/08 (Lobby 2),  
Alexandra Technopark,  
Singapore 119967  
Tel: (65) 6835-3011/Fax: (65) 6835-2711  
**OMRON (CHINA) CO., LTD.**  
Room 2211, Bank of China Tower,  
200 Yin Cheng Zhong Road,  
PuDong New Area, Shanghai, 200120, China  
Tel: (86) 21-5037-2222/Fax: (86) 21-5037-2200